

AXIAL FORCE AND TORQUE (SWT) SERIES TRANSDUCERS

FEATURES

- Measure both Force and Torque
- High Accuracy Both Bridges
- Low Crosstalk
- Low Creep
- 5pt T/C Axial & CW/CCW Torsion Calibration
- Proprietary Modulus Compensated Strain Gages

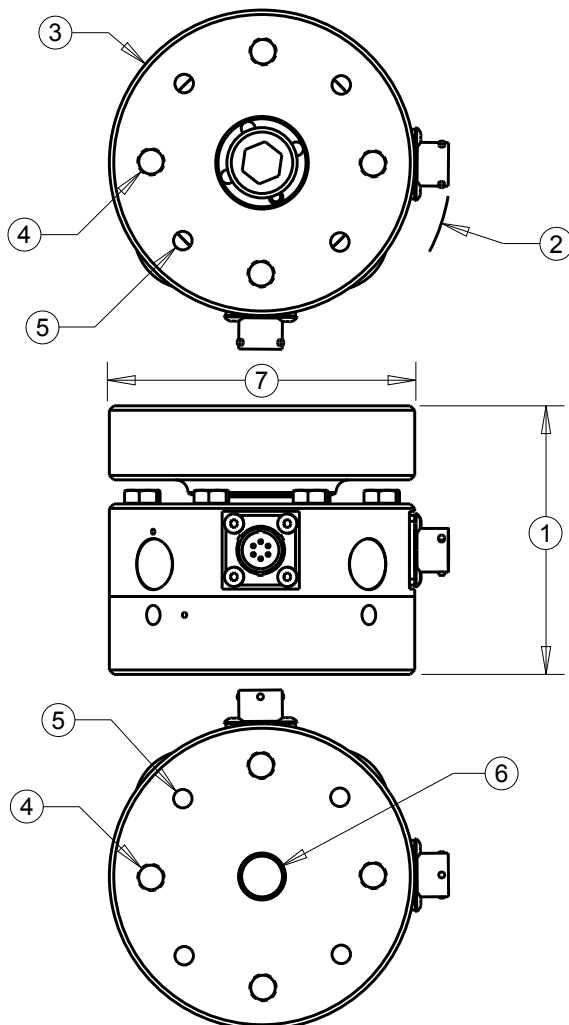


SPECIFICATIONS

Model	SWT10		SWT10		SWT20		SWT30			
	Capacity	U.S. lbf / lbf-in	2K/1K, 5K/2K		10K/3K		50K/25K			
		300/150, 500/250, 1K/500	Axial Force Bridge	Torque Bridge	Axial Force Bridge	Torque Bridge	Axial Force Bridge	Torque Bridge		
PARAMETERS										
ACCURACY										
Nonlinearity, % Rated Output		+/-0.040	+/-0.070	+/-0.040	+/-0.070	+/-0.040	+/-0.070	+/-0.050	+/-0.070	
Hysteresis, % Rated Output		+/-0.040	+/-0.050	+/-0.045	+/-0.050	+/-0.050	+/-0.050	+/-0.050	+/-0.050	
Nonrepeatability, % Rated Output		+/-0.020	+/-0.050	+/-0.020	+/-0.050	+/-0.020	+/-0.050	+/-0.020	+/-0.050	
Creep, % in 20 minutes		+/-0.025	+/-0.025	+/-0.025	+/-0.025	+/-0.025	+/-0.025	+/-0.025	+/-0.025	
Zero Balance, % Rated Output		+/-2.0	+/-2.0	+/-2.0	+/-2.0	+/-2.0	+/-2.0	+/-2.0	+/-2.0	
TEMPERATURE										
Range, Compensated, °F		+15 to +115	+15 to +115	+15 to +115	+15 to +115	+15 to +115	+15 to +115	+15 to +115	+15 to +115	
Range, Compensated, °C		-10 to +45	-10 to +45	-10 to +45	-10 to +45	-10 to +45	-10 to +45	-10 to +45	-10 to +45	
Range, Operating, °F		-65 to +200	-65 to +200	-65 to +200	-65 to +200	-65 to +200	-65 to +200	-65 to +200	-65 to +200	
Range, Operating, °C		-55 to +90	-55 to +90	-55 to +90	-55 to +90	-55 to +90	-55 to +90	-55 to +90	-55 to +90	
Effect on Sensitivity, % Rdg/ °F		+/-0.0008	+/-0.0008	+/-0.0008	+/-0.0008	+/-0.0008	+/-0.0008	+/-0.0008	+/-0.0008	
Effect on Sensitivity, % Rdg/ °C		+/-0.0015	+/-0.0015	+/-0.0015	+/-0.0015	+/-0.0015	+/-0.0015	+/-0.0015	+/-0.0015	
Effect on Zero, % Rated Output/ °F		+/-0.0015	+/-0.0015	+/-0.0015	+/-0.0015	+/-0.0015	+/-0.0015	+/-0.0015	+/-0.0015	
Effect on Zero, % Rated Output/ °C		+/-0.0027	+/-0.0027	+/-0.0027	+/-0.0027	+/-0.0027	+/-0.0027	+/-0.0027	+/-0.0027	
ELECTRICAL										
Rated Output, mV/V, Nominal		1.0	1.5	2.0	2.5	2.0	1.0	2.0	1.0	
Excitation Voltage, VDC Maximum		20	20	20	20	20	20	20	20	
Input Resistance, Ohms		350	700	350	700	350	700	350	700	
Output Resistance, Ohms		350	700	350	700	350	700	350	700	
Insulation Resistance, Megohm		5000	5000	5000	5000	5000	5000	5000	5000	
Bayonet Connector		PT02E-10-6P (MS3112E-10-6P)								
MECHANICAL										
Safe Overload Range, % Capacity		+/-150	+/-150	+/-150	+/-150	+/-150	+/-150	+/-150	+/-150	
Weight lb		4	4	11	11	32	32	76	76	
Flexure Material		Aluminum			Steel					

AXIAL FORCE AND TORQUE (SWT) SERIES TRANSDUCERS

DIMENSIONS				
Model	SWT10	SWT10	SWT20	SWT30
Capacity	300/150, 500/250, 1K/500	2K/1K, 5K/2K	10K/3K	50K/25K
Dimensions	inch	inch	inch	inch
1.	3.63	3.63	4.70	7.10
2.	R 2.5	R 2.5	R 3.5	R 4.5
3.	4.12 Dia.	4.12 Dia.	6.06 Dia.	8.00 Dia.
4.	3/8 - 24 .66 Deep on 3.00 B.C.	3/8 - 24 .66 Deep on 3.00 B.C.	3/8 - 24 .66 Deep on 3.00 B.C.	5/8 - 18 1.0 Deep on 5.50 B.C.
5.	0.25 SF on 3.00 B.C.	0.25 SF on 3.00 B.C.	0.25 SF on 3.00 B.C.	0.50 SF on 5.50 B.C.
6.	5/8 - 18 .95 Deep	5/8 - 18 .95 Deep	5/8 - 18 1.05 Deep	1 3/4 - 12 1.75 Deep
7.	4.12 Dia.	4.12 Dia.	4.12 Dia.	6.85 Dia.



OPTIONS

- Additional bridges
- Output adjustment to standard
- Compression overload protection
- Integral cable
- Custom connectors
- Connector Protectors
- Alternate Capacities

ACCESSORIES

- Mating connector
- Loading fixtures
- Interconnect cable
- Shunt calibration resistor
- Instrumentation