

# LOW CAPACITY FATIGUE RATED (FR5) SERIES LOAD CELLS

## FEATURES

- Fatigue Rated
- Small Scale
- Sealed
- Static Error Band .05%
- In-line Loading
- Compensated for Off Axis Loads
- 5pt Tension & Compression Calibration
- Proprietary Modulus Compensated Strain Gages

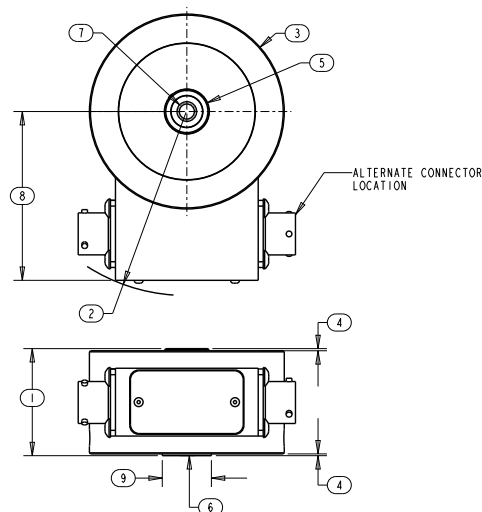


## SPECIFICATIONS

Model	FR5	
Capacity	U.S. lbf.	25, 50, 100, 200, 300
<b>PARAMETERS</b>	<b>N</b>	125, 250, 500, 1000, 1500
<b>ACCURACY</b>		
Static Error Band, % Rated Output		+/-0.050
Nonlinearity, % Rated Output		+/-0.050
Hysteresis, % Rated Output		+/-0.050
Nonrepeatability, % Rated Output		+/-0.010
Creep, % in 20 minutes		+/-0.030
Off-Center Load Sensitivity, %/inch		+/-0.250
Side Load Sensitivity, %		+/-0.250
Zero Balance, % Rated Output		+/-1.0
<b>TEMPERATURE</b>		
Range, Compensated, °F		+15 to +115
Range, Compensated, °C		-10 to +45
Range, Operating, °F		-65 to +200
Range, Operating, °C		-55 to +90
Effect on Sensitivity, % Rdg/ °F		+/- .0008
Effect on Sensitivity, % Rdg/ °C		+/- .0015
Effect on Zero, % Rated Output/ °F		+/- .0015
Effect on Zero, % Rated Output/ °C		+/- .0027
<b>ELECTRICAL</b>		
Rated Output, mV/V, Nominal		2
Excitation Voltage, VDC Maximum		15
Input Resistance, Ohms		700 +80/-7
Output Resistance, Ohms		700 +80/-7
Insulation Resistance, Megohm		5000 (@ 50VDC)
Bayonet Connector		PT02E-10-6P (MS3112E-10-6P)
<b>MECHANICAL</b>		
Safe Overload Range, % Rated Capacity		+/- 150
Weight lb		0.8
Weight kg		.36
Flexure Material		Aluminum

## DIMENSIONS

Model	FR5	FR5M
<b>Capacity</b>	25, 50, 100, 200, 300 lbf	125, 250, 500, 1000, 1500 N
<b>Dimensions</b>	inch	mm
1.	1.50	38.1
2.	R 2.57	R 65.3
3.	2.73	69.3
4.	.03	0.8
5.	.63	16.0
6.	1/4 - 28 .37 Deep	M6 x 1 9.4 Deep
7.	1/4 - 28 .75 Deep	M6 x 1 19.0 Deep
8.	2.37	60.2
9.	.69	17.5



## OPTIONS

Additional bridges  
Output adjustment to standard  
Compression overload protection  
Integral cable  
Custom connectors

## ACCESSORIES

Mating connector  
Loading fixtures  
Interconnect cable  
Shunt calibration resistor  
Instrumentation