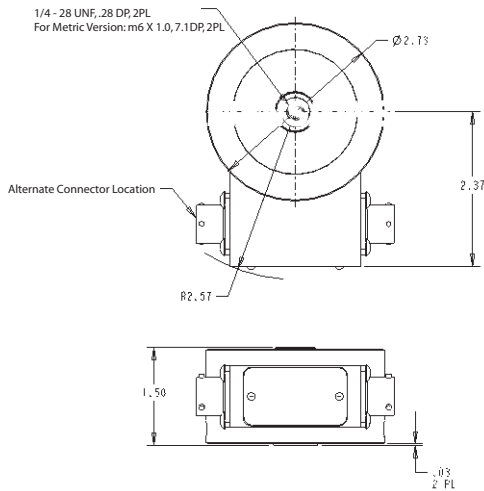


# COMPACT LOAD CELLS

## LOW CAPACITY FATIGUE RATED (FR5) SERIES LOAD CELLS

### FEATURES

- Fatigue Rated
- Small Scale
- Sealed
- Static Error Band .05%
- In-line Loading Holes



### SPECIFICATIONS

| PARAMETERS                                | MODEL<br>FR5<br>CAPACITY (lbf)<br>50, 100, 300 |
|---|--|
| <b>Accuracy</b>                           |  |
| Static Error Band, % R.O.                 | +/- 0.05                                       |
| Non linearity, % R.O.                     | +/- 0.05                                       |
| Hysteresis, % R.O.                        | +/- 0.05                                       |
| Non-Repeatability, % R.O.                 | +/- 0.01                                       |
| Creep, % Reading in 20 Minutes            | +/- 0.05                                       |
| Zero Balance, % R.O.                      | +/- 1.0  |
| <b>Temperature</b>                        |  |
| Range, Compensated, °F                    | +15 to +115                                    |
| Range, Operating, °F                      | -65 to +200                                    |
| Effect on Sensitivity, % Rdg/100 °F       | 0.20   |
| Effect on Zero, %R.O./100 °F              | 0.15   |
| <b>Electrical</b>                         |  |
| Excitation Voltage, Recommended, Vdc      | 10   |
| Input resistance, Ohms                    | 700 +80/-7                                     |
| Output Resistance, Ohms                   | 700 +80/-7                                     |
| Sensitivity (Rated Output), mV/V, Nominal | 2  |
| Insulation Resist., Bridge/Case, Meg Ohm  | 5000 (@ 50 VDC)                                |
| <b>Mechanical</b>                         |  |
| Safe Overload Range, % R.O.               | 150  |
| Weight (lbs.)                             | .8   |
| Flexure Material                          | Aluminum                                       |

### OPTIONS

- Additional bridges
- Output adjustment to standard value
- Compression overload protection
- Integral cable
- Custom connectors

### ACCESSORIES

- Mating connector
- Loading fixtures
- Interconnect cable
- Shunt calibration resistor
- Instrumentation

**THE TECHNICAL LEADER IN LOAD CELLS AND FORCE MEASUREMENT**